



Download Clamp shown with Adapter B

Download Clamp for ADSS (with or without Unequal Diameters)

The AFL Download Clamps are used to guide ADSS wire from the top of the structure to the splice box. Our clamps install easily and provide proper spacing and hold strength without damage to the cable. From poles to towers, we offer a full line of ADSS Download Clamps to meet the needs of any application.

Features

- Slip strength: >100 lbs.
- Lattice adapters provided with break-away bolts for precise torque during installation
- Steel tower guide clamps available with adapters to eliminate the need for drilling
- Banding adapters available

Ordering Information – Download Clamp & Adapter

BUSHING DESIGNATION	DIAMETER (INCHES)	COLOR CODE
B4	0.350 - 0.500	red
B5	0.501 - 0.600	green
B6	0.601 - 0.700	yellow
B7	0.701 - 0.800	blue
B8	0.801 - 0.900	white
B9	0.901 - 1.000	black
B10	1.001 - 1.100	orange

ADAPTER FOR DOWNLOAD CLAMP	SUFFIX
Banding Adapter	A
Lattice Adapter (up to 0.72" tower leg thickness)	B
Lattice Adapter (up to 1.25" tower leg thickness)	C
3/8" Diameter x 3.00 Lag Bolt	D

FD	OA	XX	YY	Z	M
Fiber Download	OPGW and ADSS	Bushing Designation (Smaller Dia.)	Bushing Designation (Larger Dia.)	Adapter Choice (A, B, C or D) Omit if none is desired.	M for Metric Hardware

Example: For .528" dia. OPGW and .484 ADSS with pole banding (Type A), order as FDOA-B4B5A.
If metric hardware is desired, add a "M" suffix to the end.

See next page for optional download clamp adapters.

Downlead Clamp and Optional Downlead Clamp Adapters

Figure 1

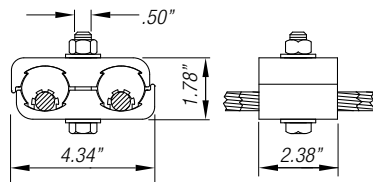
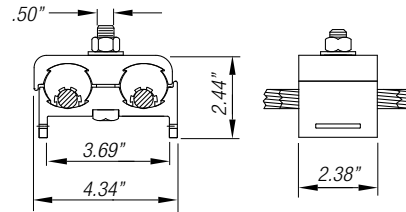


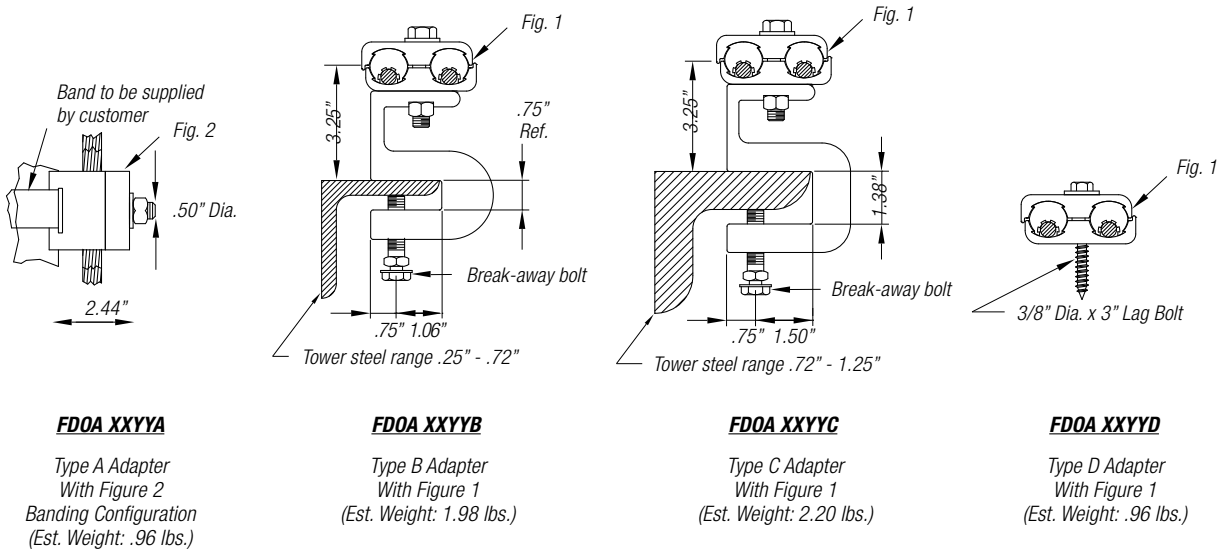
Figure 2



FDOA XXYY

No Adapter

Optional Adapters



FDOA XXYYA

Type A Adapter
With Figure 2
Banding Configuration
(Est. Weight: .96 lbs.)

FDOA XXYYB

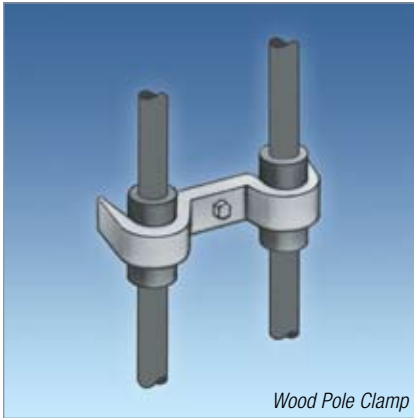
Type B Adapter
With Figure 1
(Est. Weight: 1.98 lbs.)

FDOA XXYYC

Type C Adapter
With Figure 1
(Est. Weight: 2.20 lbs.)

FDOA XXYYD

Type D Adapter
With Figure 1
(Est. Weight: .96 lbs.)



Wood Pole Guide Clamp for ADSS Cable

Guide clamps are typically two groove clamps used to guide the cable to splice locations. Clamps are spaced 5 to 8 feet apart to help maintain alignment of the cable down the towers or poles. The clamps may be bolted to the tower or poles or adaptors, and can be supplied for the steel towers, steel poles and concrete poles.

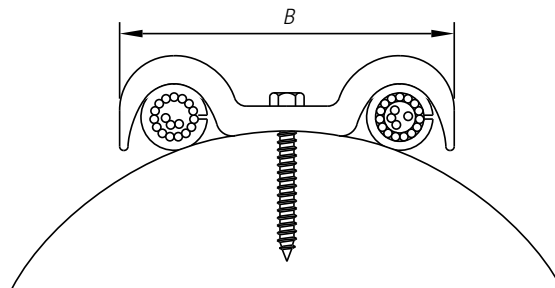
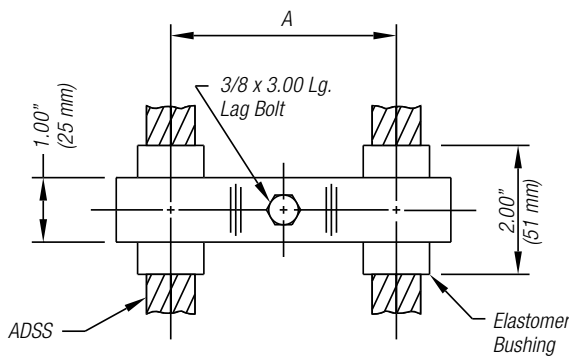
Ordering Information – Wood Pole Clamp

(Note: not available with metric hardware; 3/8" x 3" lag bolt included)

ADSS DIAMETER - IN. (MM)	DIMENSIONS - IN. (MM)		WEIGHT - LBS. (KG)	PART NO.
	A	B		
0.182 - 0.274 (4.6 - 7.0)	2.81 (71)	4.25 (108)	.33 (.15)	AGW182/274
0.275 - 0.376 (7.0 - 9.6)	2.81 (71)	4.25 (108)	.33 (.15)	AGW275/376
0.377 - 0.468 (9.6 - 11.9)	2.81 (71)	4.25 (108)	.33 (.15)	AGW377/468
0.469 - 0.561 (11.9 - 14.2)	2.81 (71)	4.25 (108)	.33 (.15)	AGW469/561
0.562 - 0.655 (14.3 - 16.6)	3.50 (89)	5.19 (132)	.46 (.21)	AGW562/655
0.656 - 0.750 (16.7 - 19.1)	3.50 (89)	5.19 (132)	.46 (.21)	AGW656/750

Ordering Example:

For .512" diameter ADSS, the part number is AWG 469/561





Urethane Downlead Cushion Clamps

These clamps are two groove clamps used to guide the cable to splice locations. Clamps are spaced 4 to 6 feet apart to help maintain alignment of the cable down the towers or poles. Various mounting hardware is available for wood and concrete poles and steel lattice towers.

Ordering Information

Urethane Downlead Cushion Clamps

CABLE TYPE	PART #
Mini-Span® 323	ADLC300/374
Mini-Span® 383	ADLC375/468